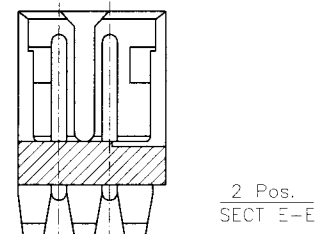
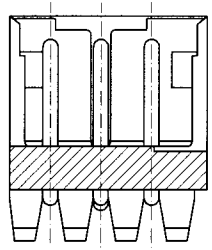
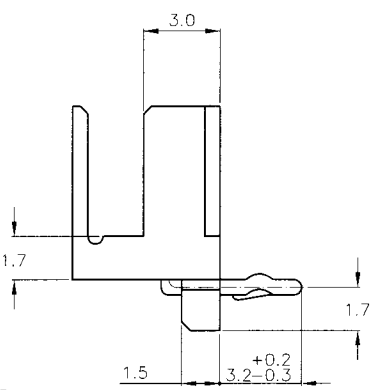
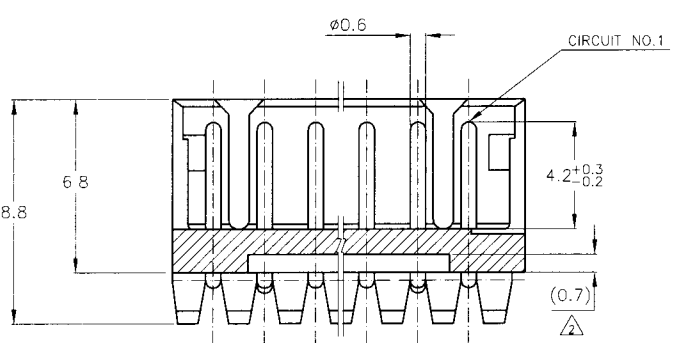
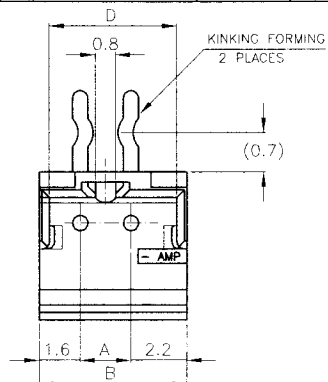
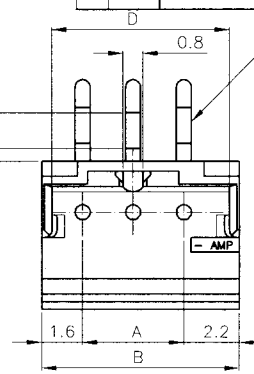
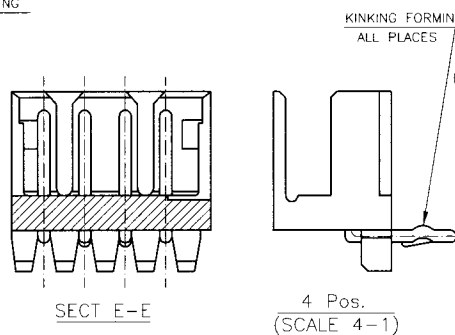
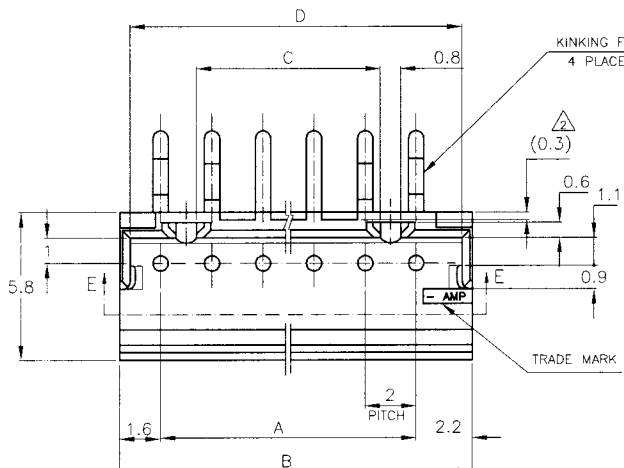


THIS DRAWING IS UNPUBLISHED. RELEASED FOR PUBLICATION

© COPYRIGHT BY TYCO ELECTRONICS CORPORATION. ALL RIGHTS RESERVED.

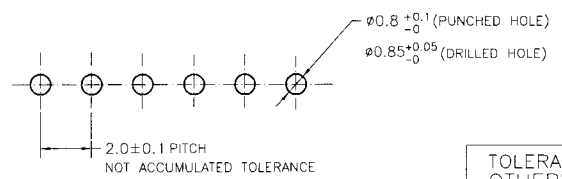
LOC	DIST	REVISIONS			DATE	DWN	APVD
FB	00	P	LTR	DESCRIPTION			
		0		RELEASED FB00-0013-03	23JAN03	J.J	T.S



7-292250-5	5-292250-5	3-292250-5	1-292250-5	15	28	31.8	25.2	31.0
7-4	5-4	3-4	1-4	14	26	29.8	23.2	29.0
7-3	5-3	3-3	1-3	13	24	27.8	21.2	27.0
7-2	5-2	3-2	1-2	12	22	25.8	19.2	25.0
7-1	5-1	3-1	1-1	11	20	23.8	17.2	23.0
7-0	5-0	3-0	1-0	10	18	21.8	15.2	21.0
6-9	4-9	2-9		9	16	19.8	13.2	19.0
6-8	4-8	2-8		8	14	17.8	11.2	17.0
6-7	4-7	2-7		7	12	15.8	9.2	15.0
6-6	4-6	2-6		6	10	13.8	7.2	13.0
6-5	4-5	2-5		5	8	11.8	5.2	11.0
6-4	4-4	2-4		4	6	9.8	3.2	9.0
6-3	4-3	2-3		3	4	7.8		7.0
6-2	4-2	2-2		2	2	5.8		5.0
BLACK	YELLOW	BLUE	NATURAL					
				Pos.	A	B	C	D

NOTES:

- 1. MATERIAL: HOUSING - NYLON 66 (UL94V-0)
- POST - TIN BRASS
- △ 12 POS ~ 15 POS ONLY



RECOMMENDABLE PCB LAYOUT (PCB THK:0.8-1.6)

TOLERANCES UNLESS OTHERWISE SPECIFIED:

10 > *	: ±0.2
30 > * > 10	: ±0.25
100 > * > 30	: ±0.3
ANGLE	: ±3°

THIS DRAWING IS A CONTROLLED DOCUMENT.

DWN: S.XU 31JAN03  
CHK: S.YAO 31JAN03  
APVD: T.SASAKI 31JAN03

Product Name: POST HEADER ASS'Y BOX-H DIP (AMP CT CONNECTOR 2mm PITCH)

Application: 108-60016

Customer Drawing: CUSTOMER DRAWING

Part No. Pos. A B C D

Scale: 5:1, Sheet: 1 of 1, Rev: 0